

# CAD SERVICES



## FLAWLESS DESIGNS, DRAWINGS, AND DOCUMENTATION – ON TIME AND ON BUDGET

CapStone's CAD Services bring together our proven expertise with the latest 2D and 3D computer-aided drafting and design (CADD) advancements to ensure excellence to the smallest detail.



## **EXPERIENCE SERVICE IN EVERY SENSE OF THE WORD**

**At CapStone, CAD Services doesn't just refer to what we can help you do. It also expresses our commitment to providing quick, accurate turnaround, our willingness to work hand-in-hand with your team, and our ability to provide support on-site and off-site.**

**Our highly skilled and experienced team includes degreed professionals specializing in industrial technology, applied science, and architectural engineering technology. They also maintain certifications in CAD, CADD, and SolidWorks, among other technologies and tools.**

**Our team can start projects immediately for both long- and short-term engagements. Their knowledge of industry practices, standards, codes, and regulations, as well as communication and implementation processes, make CapStone your ideal resource for any CAD service.**



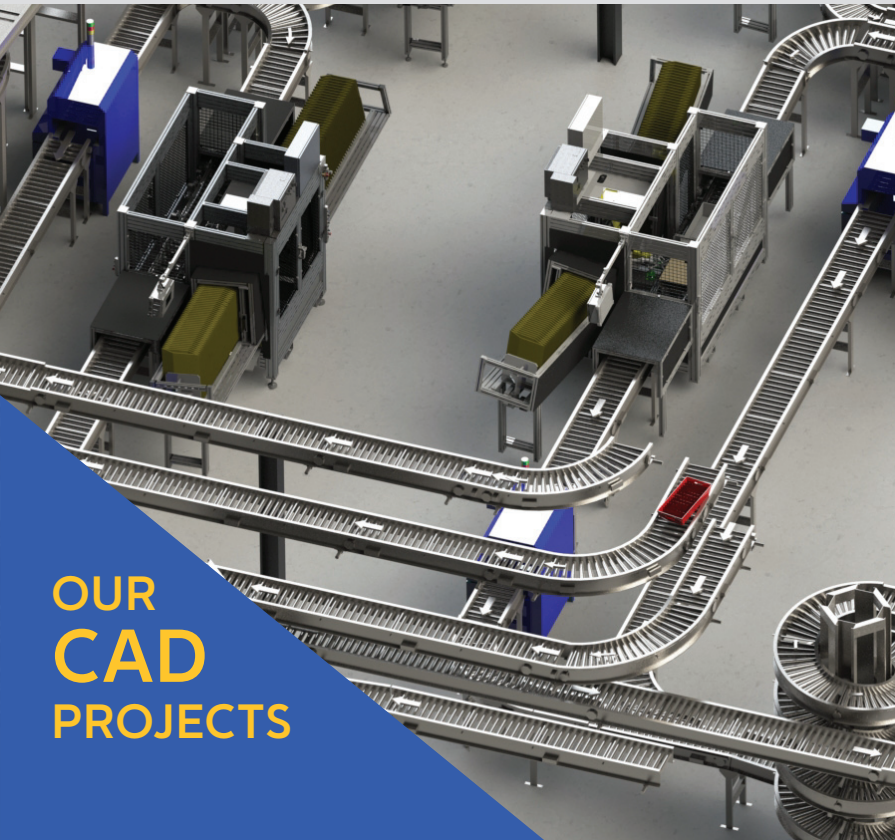
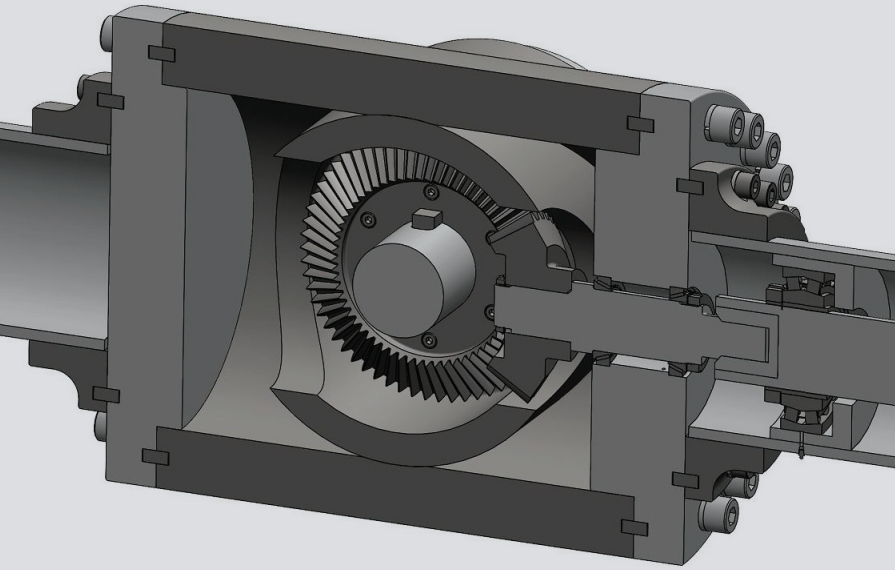
## **WE DELIVER ON OUR PROMISES SO YOU CAN DELIVER ON YOURS**

Your reputation is based on your ability to deliver great thinking and solutions under tight deadlines and budgets – and ours is too. Since 1988, we've been a preferred provider of CADD solutions for a wide range of industries.

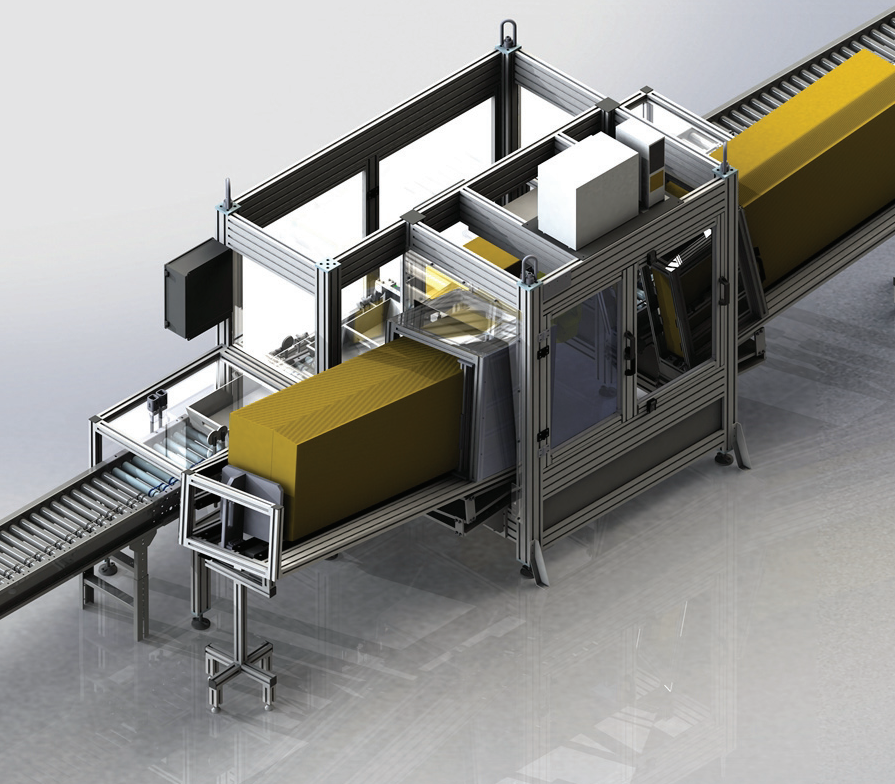
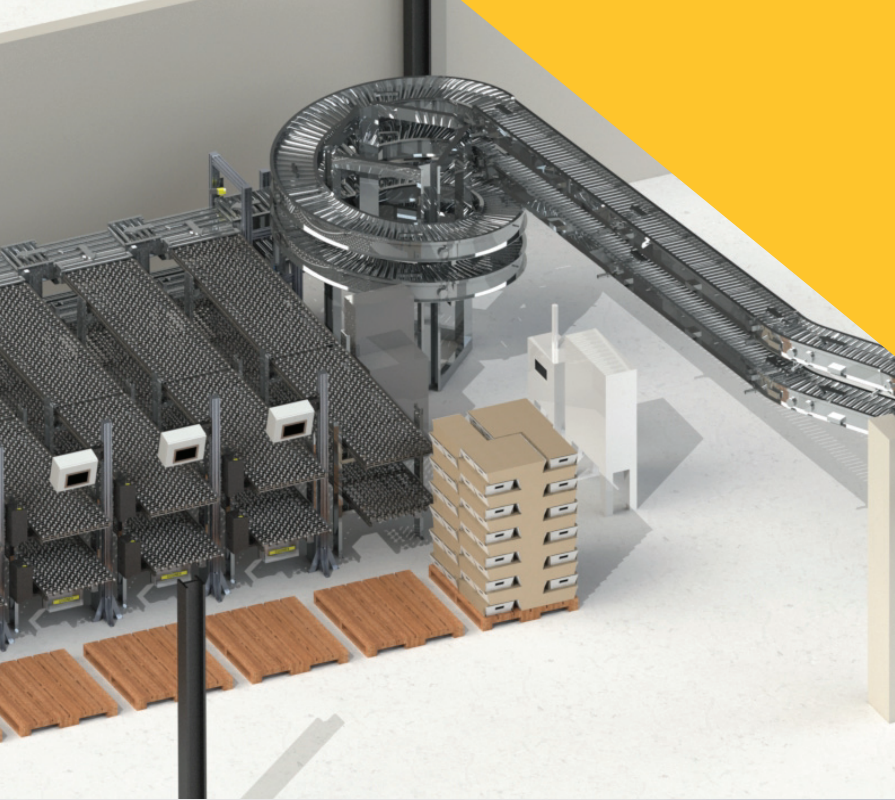
- **Manufacturing**
- **Construction**
- **Engineering**
- **Structural Steel**
- **Architectural (Commercial & Residential)**
- **Industrial**
- **Mechanical**
- **Product Development**

### **ADDITIONAL SERVICES**

- **Design & Product Development**
- **Reverse Engineering**
- **Finite Element Analysis (FEA)**
- **Renderings, Walk-throughs, & Fly-throughs**
- **BIM & Facilities CAD**
  - **Facility Layouts, Equipment Layouts, Space Planning**
  - **As-Built Verification**
  - **Evacuation & Emergency Maps**
- **3D Printing & Rapid Prototyping**
- **3D Scanning**
- **Paper-to-CAD Conversions**
- **Plots, Prints, Copies, & Scans**



OUR  
CAD  
PROJECTS



## **MOVE YOUR PROJECT FORWARD WITH EXACTING CAD DESIGN**

Quality design for projects large and small.

- **Every Drawing**
- **Every Project**
- **Every Time**

Our deep-rooted commitment to quality and excellence is reflected in the work we do – regardless of the size or scope of the engagement. Contact us to get started!



[www.captechno.com/cad-services](http://www.captechno.com/cad-services)

826 P Street, 3rd Floor, Lincoln, NE 68508

402-465-5400

[jheimgartner@captechno.com](mailto:jheimgartner@captechno.com)

